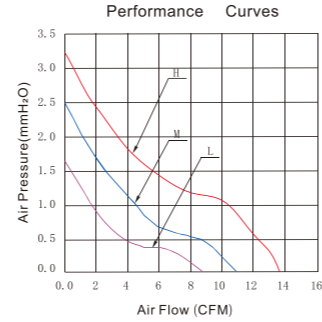
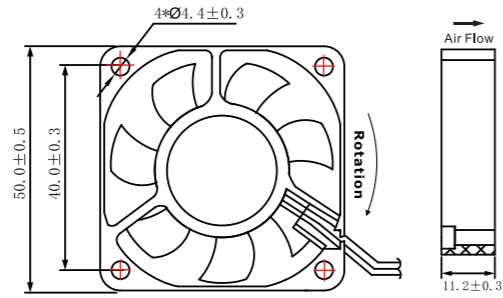


DC-5010系列

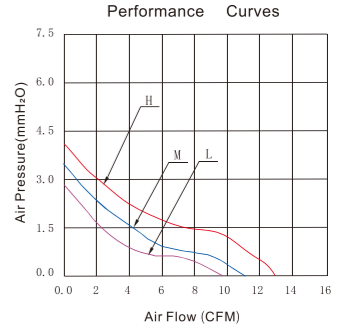
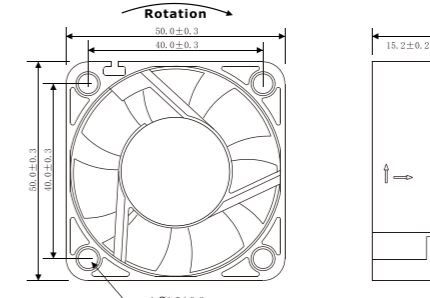


风扇参数说明

- 外框/扇叶材质: 塑料
- 电机保护: 阻抗保护、反极性保护
- 操作温度: 温度:-10°C~70°C 湿度:35%~85%RH
- 一般规格: 引线:UL型 (+)红 (-)黑
- 防火等级: UL 94V-0
- 存储温度: 温度:-40°C~70°C 湿度:35%~85%RH

型号	轴承形式	额定电压 (V)	额定电流 (A)	输入功率 (W)	风扇转速 (RPM)	空气流 (CFM)	静态压力 (mm-H2O)	噪声 (dB-A)	尺寸 (mm)	订货号
DC5010SLL	含油	5V	0.06	0.7	3,500 ± 10%	8.6	1.6	22	50 X 50 X 10	1-0110015311
DC5010BLL	滚珠	5V	0.06	0.7	3,500 ± 10%	8.6	1.6	22	50 X 50 X 10	1-0110015312
DC5010HLL	液压	5V	0.06	0.7	3,500 ± 10%	8.6	1.6	22	50 X 50 X 10	1-0110015313
DC5010SLM	含油	5V	0.09	0.9	4,500 ± 10%	11	2.5	28	50 X 50 X 10	1-0110015314
DC5010BLM	滚珠	5V	0.09	0.9	4,500 ± 10%	11	2.5	28	50 X 50 X 10	1-0110015315
DC5010HLM	液压	5V	0.09	0.9	4,500 ± 10%	11	2.5	28	50 X 50 X 10	1-0110015316
DC5010SLH	含油	5V	0.15	1.1	5,500 ± 10%	13.8	3.3	32	50 X 50 X 10	1-0110015317
DC5010BLH	滚珠	5V	0.15	1.1	5,500 ± 10%	13.8	3.3	32	50 X 50 X 10	1-0110015318
DC5010HLH	液压	5V	0.15	1.1	5,500 ± 10%	13.8	3.3	32	50 X 50 X 10	1-0110015319
DC5010SLL	含油	12V	0.03	0.72	3,500 ± 10%	8.6	1.6	22	50 X 50 X 10	1-0110015320
DC5010BLL	滚珠	12V	0.03	0.72	3,500 ± 10%	8.6	1.6	22	50 X 50 X 10	1-0110015321
DC5010HLL	液压	12V	0.03	0.72	3,500 ± 10%	8.6	1.6	22	50 X 50 X 10	1-0110015322
DC5010SLM	含油	12V	0.04	0.84	4,500 ± 10%	11	2.5	28	50 X 50 X 10	1-0110015323
DC5010BLM	滚珠	12V	0.04	0.84	4,500 ± 10%	11	2.5	28	50 X 50 X 10	1-0110015324
DC5010HLM	液压	12V	0.04	0.84	4,500 ± 10%	11	2.5	28	50 X 50 X 10	1-0110015325
DC5010SLH	含油	12V	0.06	0.96	5,500 ± 10%	13.8	3.3	32	50 X 50 X 10	1-0110015326
DC5010BLH	滚珠	12V	0.06	0.96	5,500 ± 10%	13.8	3.3	32	50 X 50 X 10	1-0110015327
DC5010HLH	液压	12V	0.06	0.96	5,500 ± 10%	13.8	3.3	32	50 X 50 X 10	1-0110015328
DC5010SLL	含油	24V	0.05	1.2	3,500 ± 10%	8.6	1.6	22	50 X 50 X 10	1-0110015329
DC5010BLL	滚珠	24V	0.05	1.2	3,500 ± 10%	8.6	1.6	22	50 X 50 X 10	1-0110015330
DC5010HLL	液压	24V	0.05	1.2	3,500 ± 10%	8.6	1.6	22	50 X 50 X 10	1-0110015331
DC5010SLM	含油	24V	0.06	1.44	4,500 ± 10%	11	2.5	28	50 X 50 X 10	1-0110015332
DC5010BLM	滚珠	24V	0.06	1.44	4,500 ± 10%	11	2.5	28	50 X 50 X 10	1-0110015333
DC5010HLM	液压	24V	0.06	1.44	4,500 ± 10%	11	2.5	28	50 X 50 X 10	1-0110015334
DC5010SLH	含油	24V	0.07	1.68	5,500 ± 10%	13.8	3.3	32	50 X 50 X 10	1-0110015335
DC5010BLH	滚珠	24V	0.07	1.68	5,500 ± 10%	13.8	3.3	32	50 X 50 X 10	1-0110015336
DC5010HLH	液压	24V	0.07	1.68	5,500 ± 10%	13.8	3.3	32	50 X 50 X 10	1-0110015337

DC-5015系列



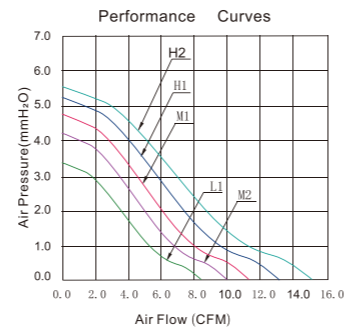
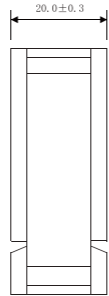
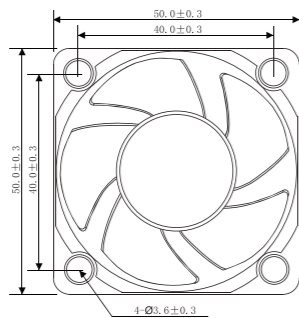
风扇参数说明

- 外框/扇叶材质: 塑料
- 电机保护: 阻抗保护、反极性保护
- 操作温度: 温度:-10°C~70°C 湿度:35%~85%RH
- 一般规格: 引线:UL型 (+)红 (-)黑
- 防火等级: UL 94V-0
- 存储温度: 温度:-40°C~70°C 湿度:35%~85%RH

型号	轴承形式	额定电压 (V)	额定电流 (A)	输入功率 (W)	风扇转速 (RPM)	空气流 (CFM)	静态压力 (mm-H2O)	噪声 (dB-A)	尺寸 (mm)	订货号
DC5015SLL	含油	5V	0.1	0.5	4,000 ± 10%	9.7	2.8	25.8	50 X 50 X 15	1-0110015338
DC5015BLL	滚珠	5V	0.1	0.5	4,000 ± 10%	9.7	2.8	25.8	50 X 50 X 15	1-0110015339
DC5015HLL	液压	5V	0.1	0.5	4,000 ± 10%	9.7	2.8	25.8	50 X 50 X 15	1-0110015340
DC5015SLM	含油	5V	0.14	0.7	4,500 ± 10%	10.9	3.2	29	50 X 50 X 15	1-0110015341
DC5015BLM	滚珠	5V	0.14	0.7	4,500 ± 10%	10.9	3.2	29	50 X 50 X 15	1-0110015342
DC5015SLH	含油	5V	0.18	0.9	5,000 ± 10%	12.4	3.8	31	50 X 50 X 15	1-0110015343
DC5015BLH	滚珠	5V	0.18	0.9	5,000 ± 10%	12.4	3.8	31	50 X 50 X 15	1-0110015344
DC5015SLL	含油	12V	0.06	0.72	4,000 ± 10%	9.7	2.8	25.8	50 X 50 X 15	1-0110015345
DC5015BLL	滚珠	12V	0.06	0.72	4,000 ± 10%	9.7	2.8	25.8	50 X 50 X 15	1-0110015346
DC5015HLL	液压	12V	0.06	0.72	4,000 ± 10%	9.7	2.8	25.8	50 X 50 X 15	1-0110015347
DC5015SLM	含油	12V	0.07	0.84	4,500 ± 10%	10.9	3.2	29	50 X 50 X 15	1-0110015348
DC5015BLM	滚珠	12V	0.07	0.84	4,500 ± 10%	10.9	3.2	29	50 X 50 X 15	1-0110015349
DC5015SLH	含油	12V	0.1	1.2	5,000 ± 10%	12.4	3.8	31	50 X 50 X 15	1-0110015350
DC5015BLH	滚珠	12V	0.1	1.2	5,000 ± 10%	12.4	3.8	31	50 X 50 X 15	1-0110015351
DC5015SLL	含油	24V	0.06	1.44	4,000 ± 10%	9.7	2.8	25.8	50 X 50 X 15	1-0110015352
DC5015BLL	滚珠	24V	0.06	1.44	4,000 ± 10%	9.7	2.8	25.8	50 X 50 X 15	1-0110015353
DC5015HLL	液压	24V	0.06	1.44	4,000 ± 10%	9.7	2.8	25.8	50 X 50 X 15	1-0110015354
DC5015SLM	含油	24V	0.06	1.44	4,500 ± 10%	10.9	3.2	29	50 X 50 X 15	1-0110015355
DC5015BLM	滚珠	24V	0.06	1.44	4,500 ± 10%	10.9	3.2	29	50 X 50 X 15	1-0110015356
DC5015SLH	含油	24V	0.12	2.88	5,000 ± 10%	12.4	3.8	31	50 X 50 X 15	1-0110015357
DC5015BLH	滚珠	24V	0.12	2.88	5,000 ± 10%	12.4	3.8	31	50 X 50 X 15	1-0110015358



DC-5020系列



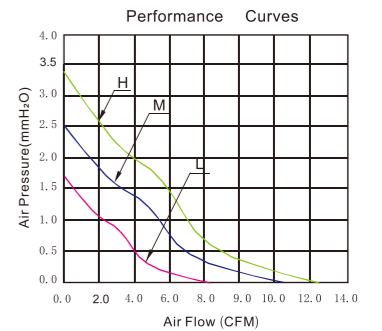
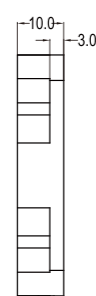
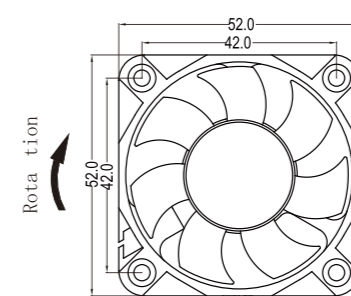
风扇参数说明

- 外框/扇叶材质: 塑料
- 电机保护: 阻抗保护、反极性保护
- 操作温度: 温度:-10°C~70°C 湿度:35%~85%RH
- 一般规格: 引线:UL型 (+)红 (-)黑
- 防火等级: UL 94V-0
- 存储温度: 温度:-40°C~70°C 湿度:35%~85%RH

型号	轴承形式	额定电压 (V)	额定电流 (A)	输入功率 (W)	风扇转速 (RPM)	空气流 (CFM)	静态压力 (mm-H2O)	噪声 (dB-A)	尺寸 (mm)	订货号
DC5020SLL	含油	5V	0.12	0.85	3,200 ± 10%	8.3	3.4	20.8	50 X 50 X 20	1-0110015356
DC5020BLL	滚珠	5V	0.12	0.85	3,200 ± 10%	8.3	3.4	20.8	50 X 50 X 20	1-0110015357
DC5020HLL	液压	5V	0.12	0.85	3,200 ± 10%	8.3	3.4	20.8	50 X 50 X 20	1-0110015358
DC5020SLM	含油	5V	0.15	1.0	3,800 ± 10%	9.8	4.1	25.6	50 X 50 X 20	1-0110015359
DC5020BLM	滚珠	5V	0.15	1.0	3,800 ± 10%	9.8	4.1	25.6	50 X 50 X 20	1-0110015360
DC5020HLM	液压	5V	0.15	1.0	3,800 ± 10%	9.8	4.1	25.6	50 X 50 X 20	1-0110015361
DC5020SLH	含油	5V	0.23	1.15	4,400 ± 10%	11.4	4.7	29.6	50 X 50 X 20	1-0110015362
DC5020BLH	滚珠	5V	0.23	1.15	4,400 ± 10%	11.4	4.7	29.6	50 X 50 X 20	1-0110015363
DC5020HLH	液压	5V	0.23	1.15	4,400 ± 10%	11.4	4.7	29.6	50 X 50 X 20	1-0110015364
DC5020SLL	含油	12V	0.09	1.08	4,000 ± 10%	10.3	4.3	27.2	50 X 50 X 20	1-0110015365
DC5020BLL	滚珠	12V	0.09	1.08	4,000 ± 10%	10.3	4.3	27.2	50 X 50 X 20	1-0110015366
DC5020HLL	液压	12V	0.09	1.08	4,000 ± 10%	10.3	4.3	27.2	50 X 50 X 20	1-0110015367
DC5020SLM	含油	12V	0.15	1.8	5,000 ± 10%	12.9	5.3	33	50 X 50 X 20	1-0110015368
DC5020BLM	滚珠	12V	0.15	1.8	5,000 ± 10%	12.9	5.3	33	50 X 50 X 20	1-0110015369
DC5020HLM	液压	12V	0.15	1.8	5,000 ± 10%	12.9	5.3	33	50 X 50 X 20	1-0110015370
DC5020SLH	含油	12V	0.25	3.0	6,000 ± 10%	15.5	6.4	37.4	50 X 50 X 20	1-0110015371
DC5020BLH	滚珠	12V	0.25	3.0	6,000 ± 10%	15.5	6.4	37.4	50 X 50 X 20	1-0110015372
DC5020HLH	液压	12V	0.25	3.0	6,000 ± 10%	15.5	6.4	37.4	50 X 50 X 20	1-0110015373
DC5020SLL	含油	24V	0.05	1.2	4,000 ± 10%	10.3	4.3	27.2	50 X 50 X 20	1-0110015374
DC5020BLL	滚珠	24V	0.05	1.2	4,000 ± 10%	10.3	4.3	27.2	50 X 50 X 20	1-0110015375
DC5020HLL	液压	24V	0.05	1.2	4,000 ± 10%	10.3	4.3	27.2	50 X 50 X 20	1-0110015376
DC5020SLM	含油	24V	0.06	1.44	5,000 ± 10%	12.9	5.3	33	50 X 50 X 20	1-0110015377
DC5020BLM	滚珠	24V	0.06	1.44	5,000 ± 10%	12.9	5.3	33	50 X 50 X 20	1-0110015378
DC5020HLM	液压	24V	0.06	1.44	5,000 ± 10%	12.9	5.3	33	50 X 50 X 20	1-0110015379
DC5020SLH	含油	24V	0.07	1.68	6,000 ± 10%	15.5	6.4	37.4	50 X 50 X 20	1-0110015380
DC5020BLH	滚珠	24V	0.07	1.68	6,000 ± 10%	15.5	6.4	37.4	50 X 50 X 20	1-0110015381
DC5020HLH	液压	24V	0.07	1.68	6,000 ± 10%	15.5	6.4	37.4	50 X 50 X 20	1-0110015382



DC-5210系列

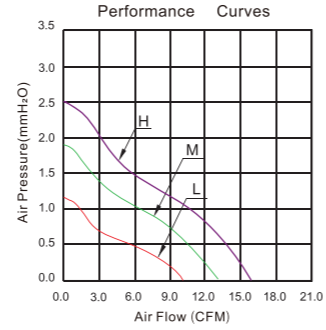
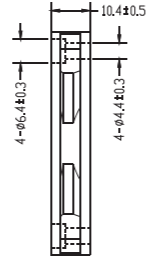
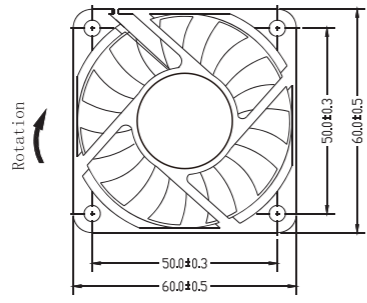


风扇参数说明

- 外框/扇叶材质: 塑料
- 电机保护: 阻抗保护、反极性保护
- 操作温度: 温度:-10°C~70°C 湿度:35%~85%RH
- 一般规格: 引线:UL型 (+)红 (-)黑
- 防火等级: UL 94V-0
- 存储温度: 温度:-40°C~70°C 湿度:35%~85%RH

型号	轴承形式	额定电压 (V)	额定电流 (A)	输入功率 (W)	风扇转速 (RPM)	空气流 (CFM)	静态压力 (mm-H2O)	噪声 (dB-A)	尺寸 (mm)	订货号
DC5210SLL	含油	5V	0.15	0.75	4,000 ± 10%	8.2	1.6	27	52 X 52 X 10	1-0110015383
DC5210BLL	滚珠	5V	0.15	0.75	4,000 ± 10%	8.2	1.6	27	52 X 52 X 10	1-0110015384
DC5210HLL	液压	5V	0.15	0.75	4,000 ± 10%	8.2	1.6	27	52 X 52 X 10	1-0110015385
DC5210SLM	含油	5V	0.2	1.0	5,000 ± 10%	10.4	2.5	33	52 X 52 X 10	1-0110015386
DC5210BLM	滚珠	5V	0.2	1.0	5,000 ± 10%	10.4	2.5	33	52 X 52 X 10	1-0110015387
DC5210SLH	含油	5V	0.25	1.25	6,000 ± 10%	12.6	3.4	38	52 X 52 X 10	1-0110015388
DC5210BLH	滚珠	5V	0.25	1.25	6,000 ± 10%	12.6	3.4	38	52 X 52 X 10	1-0110015389
DC5210SLL	含油	12V	0.12	1.44	4,000 ± 10%	8.2	1.6	27	52 X 52 X 10	1-0110015390
DC5210BLL	滚珠	12V	0.12	1.44	4,000 ± 10%	8.2	1.6	27	52 X 52 X 10	1-0110015391
DC5210SLM	含油	12V	0.15	1.8	5,000 ± 10%	10.4	2.5	33	52 X 52 X 10	1-0110015392
DC5210BLM	滚珠	12V	0.15	1.8	5,000 ± 10%	10.4	2.5	33	52 X 52 X 10	1-0110015393
DC5210SLH	含油	12V	0.18	2.16	6,000 ± 10%	12.6	3.4	38	52 X 52 X 10	1-0110015394
DC5210BLH	滚珠	12V	0.18	2.16	6,000 ± 10%	12.6	3.4	38	52 X 52 X 10	1-0110015395
DC5210SLL	含油	24V	0.05	1.2	4,000 ± 10%	8.2	1.6	27	52 X 52 X 10	1-0110015396
DC5210BLL	滚珠	24V	0.05	1.2	4,000 ± 10%	8.2	1.6	27	52 X 52 X 10	1-0110015397
DC5210SLM	含油	24V	0.07	1.68	5,000 ± 10%	10.4	2.5	33	52 X 52 X 10	1-0110015398
DC5210BLM	滚珠	24V	0.07	1.68	5,000 ± 10%	10.4	2.5	33	52 X 52 X 10	1-0110015399
DC5210SLH	含油	24V	0.09	2.16	6,000 ± 10%	12.6	3.4	38	52 X 52 X 10	1-0110015400
DC5210BLH	滚珠	24V	0.09	2.16	6,000 ± 10%	12.6	3.4	38	52 X 52 X 10	1-0110015400

DC-6010系列

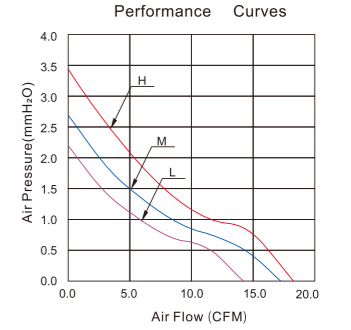
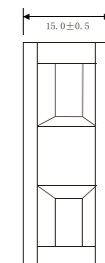
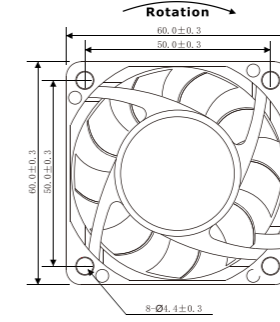


风扇参数说明

- 外框/扇叶材质: 塑料
- 电机保护: 阻抗保护、反极性保护
- 操作温度: 温度:-10°C~70°C 湿度:35%~85%RH
- 一般规格: 引线:UL型 (+)红 (-)黑
- 防火等级: UL 94V-0
- 存储温度: 温度:-40°C~70°C 湿度:35%~85%RH

型号	轴承形式	额定电压 (V)	额定电流 (A)	输入功率 (W)	风扇转速 (RPM)	空气流 (CFM)	静态压力 (mm-H2O)	噪声 (dB-A)	尺寸 (mm)	订货号
DC6010SLL	含油	5V	0.12	0.6	2,500 ± 10%	10.5	1.1	25	60 X 60 X 10	1-0110015401
DC6010BLL	滚珠	5V	0.12	0.6	2,500 ± 10%	10.5	1.1	25	60 X 60 X 10	1-0110015402
DC6010HLL	液压	5V	0.12	0.6	2,500 ± 10%	10.5	1.1	25	60 X 60 X 10	1-0110015403
DC6010SLM	含油	5V	0.17	0.85	3,000 ± 10%	13.2	1.8	28	60 X 60 X 10	1-0110015404
DC6010BLM	滚珠	5V	0.17	0.85	3,000 ± 10%	13.2	1.8	28	60 X 60 X 10	1-0110015405
DC6010HLM	液压	5V	0.17	0.85	3,000 ± 10%	13.2	1.8	28	60 X 60 X 10	1-0110015406
DC6010SLH	含油	5V	0.22	1.1	3,500 ± 10%	15.9	2.5	31	60 X 60 X 10	1-0110015407
DC6010BLH	滚珠	5V	0.22	1.1	3,500 ± 10%	15.9	2.5	31	60 X 60 X 10	1-0110015408
DC6010HLH	液压	5V	0.22	1.1	3,500 ± 10%	15.9	2.5	31	60 X 60 X 10	1-0110015409
DC6010SLL	含油	12V	0.09	0.96	2,500 ± 10%	10.5	1.1	25	60 X 60 X 10	1-0110015410
DC6010BLL	滚珠	12V	0.09	0.96	2,500 ± 10%	10.5	1.1	25	60 X 60 X 10	1-0110015411
DC6010HLL	液压	12V	0.09	0.96	2,500 ± 10%	10.5	1.1	25	60 X 60 X 10	1-0110015412
DC6010SLM	含油	12V	0.13	1.56	3,000 ± 10%	13.2	1.8	28	60 X 60 X 10	1-0110015413
DC6010BLM	滚珠	12V	0.13	1.56	3,000 ± 10%	13.2	1.8	28	60 X 60 X 10	1-0110015414
DC6010HLM	液压	12V	0.13	1.56	3,000 ± 10%	13.2	1.8	28	60 X 60 X 10	1-0110015415
DC6010SLH	含油	12V	0.15	1.8	3,500 ± 10%	15.9	2.5	31	60 X 60 X 10	1-0110015416
DC6010BLH	滚珠	12V	0.15	1.8	3,500 ± 10%	15.9	2.5	31	60 X 60 X 10	1-0110015417
DC6010HLH	液压	12V	0.15	1.8	3,500 ± 10%	15.9	2.5	31	60 X 60 X 10	1-0110015418
DC6010SLL	含油	24V	0.05	1.2	2,500 ± 10%	10.5	1.1	25	60 X 60 X 10	1-0110015419
DC6010BLL	滚珠	24V	0.05	1.2	2,500 ± 10%	10.5	1.1	25	60 X 60 X 10	1-0110015420
DC6010HLL	液压	24V	0.05	1.2	2,500 ± 10%	10.5	1.1	25	60 X 60 X 10	1-0110015421
DC6010SLM	含油	24V	0.07	1.68	3,000 ± 10%	13.2	1.8	28	60 X 60 X 10	1-0110015422
DC6010BLM	滚珠	24V	0.07	1.68	3,000 ± 10%	13.2	1.8	28	60 X 60 X 10	1-0110015423
DC6010HLM	液压	24V	0.07	1.68	3,000 ± 10%	13.2	1.8	28	60 X 60 X 10	1-0110015424
DC6010SLH	含油	24V	0.09	2.16	3,500 ± 10%	15.9	2.5	31	60 X 60 X 10	1-0110015425
DC6010BLH	滚珠	24V	0.09	2.16	3,500 ± 10%	15.9	2.5	31	60 X 60 X 10	1-0110015426
DC6010HLH	液压	24V	0.09	2.16	3,500 ± 10%	15.9	2.5	31	60 X 60 X 10	1-0110015427

DC-6015系列

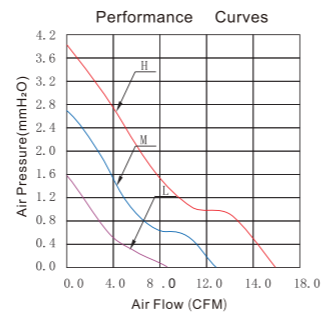
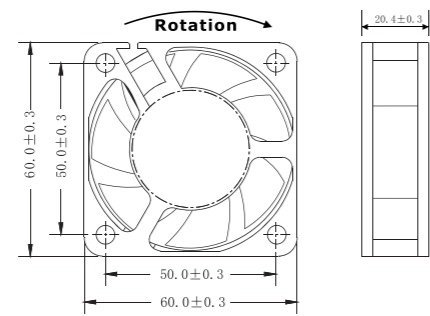


风扇参数说明

- 外框/扇叶材质: 塑料
- 电机保护: 阻抗保护、反极性保护
- 操作温度: 温度:-10°C~70°C 湿度:35%~85%RH
- 一般规格: 引线:UL型 (+)红 (-)黑
- 防火等级: UL 94V-0
- 存储温度: 温度:-40°C~70°C 湿度:35%~85%RH

型号	轴承形式	额定电压 (V)	额定电流 (A)	输入功率 (W)	风扇转速 (RPM)	空气流 (CFM)	静态压力 (mm-H2O)	噪声 (dB-A)	尺寸 (mm)	订货号
DC6015SLL	含油	5V	0.25	1.25	3,000 ± 10%	12.4	1.9	25	60 X 60 X 15	1-0110015428
DC6015BLL	滚珠	5V	0.25	1.25	3,000 ± 10%	12.4	1.9	25	60 X 60 X 15	1-0110015429
DC6015HLL	液压	5V	0.25	1.25	3,000 ± 10%	12.4	1.9	25	60 X 60 X 15	1-0110015430
DC6015SLM	含油	5V	0.3	1.5	3,500 ± 10%	14.4	2.2	29	60 X 60 X 15	1-0110015431
DC6015BLM	滚珠	5V	0.3	1.5	3,500 ± 10%	14.4	2.2	29	60 X 60 X 15	1-0110015432
DC6015HLM	液压	5V	0.3	1.5	3,500 ± 10%	14.4	2.2	29	60 X 60 X 15	1-0110015433
DC6015SLH	含油	5V	0.35	1.75	4,000 ± 10%	16.5	2.5	33	60 X 60 X 15	1-0110015434
DC6015BLH	滚珠	5V	0.35	1.75	4,000 ± 10%	16.5	2.5	33	60 X 60 X 15	1-0110015435
DC6015HLH	液压	5V	0.35	1.75	4,000 ± 10%	16.5	2.5	33	60 X 60 X 15	1-0110015436
DC6015SLL	含油	12V	0.09	1.08	3,000 ± 10%	12.4	1.9	25	60 X 60 X 15	1-0110015437
DC6015BLL	滚珠	12V	0.09	1.08	3,000 ± 10%	12.4	1.9	25	60 X 60 X 15	1-0110015438
DC6015HLL	液压	12V	0.09	1.08	3,000 ± 10%	12.4	1.9	25	60 X 60 X 15	1-0110015439
DC6015SLM	含油	12V	0.1	1.2	3,500 ± 10%	14.4	2.2	29	60 X 60 X 15	1-0110015440
DC6015BLM	滚珠	12V	0.1	1.2	3,500 ± 10%	14.4	2.2	29	60 X 60 X 15	1-0110015441
DC6015HLM	液压	12V	0.1	1.2	3,500 ± 10%	14.4	2.2	29	60 X 60 X 15	1-0110015442
DC6015SLH	含油	12V	0.12	1.44	4,000 ± 10%	16.5	2.5	33	60 X 60 X 15	1-0110015443
DC6015BLH	滚珠	12V	0.12	1.44	4,000 ± 10%	16.5	2.5	33	60 X 60 X 15	1-0110015444
DC6015HLH	液压	12V	0.12	1.44	4,000 ± 10%	16.5	2.5	33	60 X 60 X 15	1-0110015445
DC6015SLL	含油	24V	0.07	1.68	3,000 ± 10%	12.4	1.9	25	60 X 60 X 15	1-0110015446
DC6015BLL	滚珠	24V	0.07	1.68	3,000 ± 10%	12.4	1.9	25	60 X 60 X 15	1-0110015447
DC6015HLL	液压	24V	0.07	1.68	3,000 ± 10%	12.4	1.9	25	60 X 60 X 15	1-0110015448
DC6015SLM	含油	24V	0.08	1.92	3,500 ± 10%	14.4	2.2	29	60 X 60 X 15	1-0110015449
DC6015BLM	滚珠	24V	0.08	1.92	3,500 ± 10%	14.4	2.2	29	60 X 60 X 15	1-0110015450
DC6015HLM	液压	24V	0.08	1.92	3,500 ± 10%	14.4	2.2	29	60 X 60 X 15	1-0110015451
DC6015SLH	含油	24V	0.1	2.4	4,000 ± 10%	16.5	2.5	33	60 X 60 X 15	1-0110015452
DC6015BLH	滚珠	24V	0.1	2.4	4,000 ± 10%	16.5	2.5	33	60 X 60 X 15	1-0110015453
DC6015HLH	液压	24V	0.1	2.4	4,000 ± 10%	16.5	2.5	33	60 X 60 X 15	1-0110015454

DC-6020系列

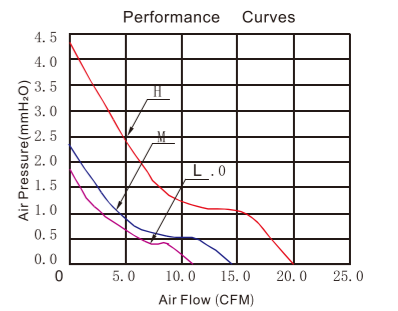
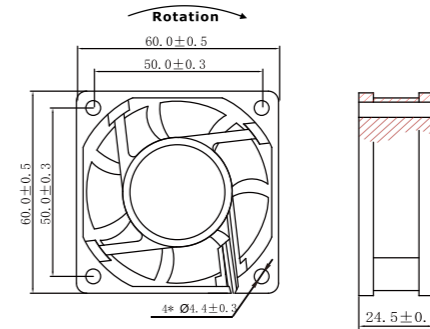


风扇参数说明

- 外框/扇叶材质: 塑料
- 电机保护: 阻抗保护、反极性保护
- 操作温度: 温度:-10°C~70°C 湿度:35%~85%RH
- 一般规格: 引线:UL型 (+)红 (-)黑
- 防火等级: UL 94V-0
- 存储温度: 温度:-40°C~70°C 湿度:35%~85%RH

型号	轴承形式	额定电压 (V)	额定电流 (A)	输入功率 (W)	风扇转速 (RPM)	空气流 (CFM)	静态压力 (mm-H2O)	噪声 (dB-A)	尺寸 (mm)	订货号
DC6020SLL	含油	12V	0.08	0.96	2,500 ± 10%	9.9	1.6	20	60 X 60 X 20	1-0110015455
DC6020SLM	含油	12V	0.12	1.44	3,300 ± 10%	13.2	2.7	25	60 X 60 X 20	1-0110015456
DC6020SLH	含油	12V	0.16	1.92	4,000 ± 10%	16	3.9	30	60 X 60 X 20	1-0110015457
DC6020SLL	含油	24V	0.08	1.93	3,500 ± 10%	14.4	2.2	29	60 X 60 X 20	1-0110015458
DC6020SLM	含油	24V	0.1	2.4	4,000 ± 10%	16.4	2.6	32	60 X 60 X 20	1-0110015459
DC6020SLH	含油	24V	0.13	3.12	4,500 ± 10%	18.6	3.4	35	60 X 60 X 20	1-0110015460

DC-6025系列

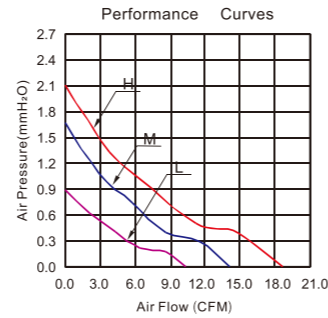
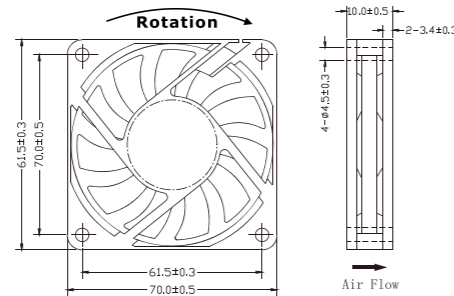


风扇参数说明

- 外框/扇叶材质: 塑料
- 电机保护: 阻抗保护、反极性保护
- 操作温度: 温度:-10°C~70°C 湿度:35%~85%RH
- 一般规格: 引线:UL型 (+)红 (-)黑
- 防火等级: UL 94V-0
- 存储温度: 温度:-40°C~70°C 湿度:35%~85%RH

型号	轴承形式	额定电压 (V)	额定电流 (A)	输入功率 (W)	风扇转速 (RPM)	空气流 (CFM)	静态压力 (mm-H2O)	噪声 (dB-A)	尺寸 (mm)	订货号
DC6025SLL	含油	5V	0.12	0.6	2,500 ± 10%	11.8	1.7	20	60 X 60 X 25	1-0110015461
DC6025BLL	滚珠	5V	0.12	0.6	2,500 ± 10%	11.8	1.7	20	60 X 60 X 25	1-0110015462
DC6025SLM	含油	5V	0.15	0.75	3,000 ± 10%	14.1	2.4	22	60 X 60 X 25	1-0110015463
DC6025BLM	滚珠	5V	0.15	0.75	3,000 ± 10%	14.1	2.4	22	60 X 60 X 25	1-0110015464
DC6025SLH	含油	5V	0.2	1.0	4,000 ± 10%	19.2	4.2	28	60 X 60 X 25	1-0110015465
DC6025BLH	滚珠	5V	0.2	1.0	4,000 ± 10%	19.2	4.2	28	60 X 60 X 25	1-0110015466
DC6025SLL	含油	12V	0.08	0.96	2,500 ± 10%	11.8	1.7	20	60 X 60 X 25	1-0110015467
DC6025BLL	滚珠	12V	0.08	0.96	2,500 ± 10%	11.8	1.7	20	60 X 60 X 25	1-0110015468
DC6025SLM	含油	12V	0.09	1.08	3,000 ± 10%	14.1	2.4	22	60 X 60 X 25	1-0110015469
DC6025BLM	滚珠	12V	0.09	1.08	3,000 ± 10%	14.1	2.4	22	60 X 60 X 25	1-0110015470
DC6025SLH	含油	12V	0.12	1.44	4,000 ± 10%	19.2	4.2	28	60 X 60 X 25	1-0110015471
DC6025BLH	滚珠	12V	0.12	1.44	4,000 ± 10%	19.2	4.2	28	60 X 60 X 25	1-0110015472
DC6025SLL	含油	24V	0.05	1.68	2,500 ± 10%	11.8	1.7	20	60 X 60 X 25	1-0110015473
DC6025BLL	滚珠	24V	0.05	1.68	2,500 ± 10%	11.8	1.7	20	60 X 60 X 25	1-0110015474
DC6025SLM	含油	24V	0.06	1.92	3,000 ± 10%	14.1	2.4	22	60 X 60 X 25	1-0110015475
DC6025BLM	滚珠	24V	0.06	1.92	3,000 ± 10%	14.1	2.4	22	60 X 60 X 25	1-0110015476
DC6025SLH	含油	24V	0.11	2.64	4,000 ± 10%	19.2	4.2	28	60 X 60 X 25	1-0110015477
DC6025BLH	滚珠	24V	0.11	2.64	4,000 ± 10%	19.2	4.2	28	60 X 60 X 25	1-0110015478

DC-7010系列

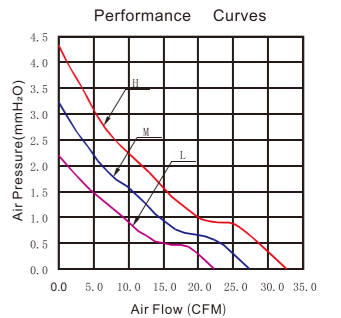
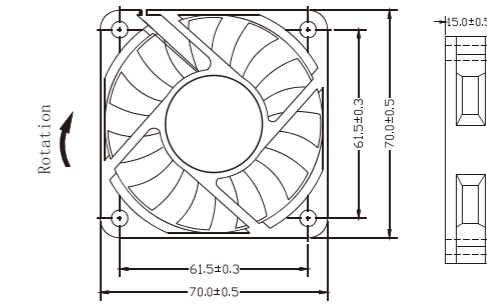


风扇参数说明

- 外框/扇叶材质: 塑料
- 电机保护: 阻抗保护、反极性保护
- 操作温度: 温度:-10°C~70°C 湿度:35%~85%RH
- 一般规格: 引线:UL型 (+)红 (-)黑
- 防火等级: UL 94V-0
- 存储温度: 温度:-40°C~70°C 湿度:35%~85%RH

型号	轴承形式	额定电压 (V)	额定电流 (A)	输入功率 (W)	风扇转速 (RPM)	空气流 (CFM)	静态压力 (mm-H2O)	噪声 (dB-A)	尺寸 (mm)	订货号
DC7010SLL	含油	5V	0.28	1.4	2,000 ± 10%	10.4	0.9	24	70 X 70 X 10	1-0110015479
DC7010BLL	滚珠	5V	0.28	1.4	2,000 ± 10%	10.4	0.9	24	70 X 70 X 10	1-0110015480
DC7010HLL	液压	5V	0.28	1.4	2,000 ± 10%	10.4	0.9	24	70 X 70 X 10	1-0110015481
DC7010SLM	含油	5V	0.35	1.75	2,500 ± 10%	14.7	1.6	27	70 X 70 X 10	1-0110015482
DC7010BLM	滚珠	5V	0.35	1.75	2,500 ± 10%	14.7	1.6	27	70 X 70 X 10	1-0110015483
DC7010HLM	液压	5V	0.35	1.75	2,500 ± 10%	14.7	1.6	27	70 X 70 X 10	1-0110015484
DC7010SLH	含油	5V	0.42	2.1	3,000 ± 10%	18.5	2.1	31	70 X 70 X 10	1-0110015485
DC7010BLH	滚珠	5V	0.42	2.1	3,000 ± 10%	18.5	2.1	31	70 X 70 X 10	1-0110015486
DC7010HLH	液压	5V	0.42	2.1	3,000 ± 10%	18.5	2.1	31	70 X 70 X 10	1-0110015487
DC7010SLL	含油	12V	0.15	1.8	2,000 ± 10%	10.4	0.9	24	70 X 70 X 10	1-0110015488
DC7010BLL	滚珠	12V	0.15	1.8	2,000 ± 10%	10.4	0.9	24	70 X 70 X 10	1-0110015489
DC7010HLL	液压	12V	0.15	1.8	2,000 ± 10%	10.4	0.9	24	70 X 70 X 10	1-0110015490
DC7010SLM	含油	12V	0.19	2.28	2,500 ± 10%	14.7	1.6	27	70 X 70 X 10	1-0110015491
DC7010BLM	滚珠	12V	0.19	2.28	2,500 ± 10%	14.7	1.6	27	70 X 70 X 10	1-0110015492
DC7010HLM	液压	12V	0.19	2.28	2,500 ± 10%	14.7	1.6	27	70 X 70 X 10	1-0110015493
DC7010SLH	含油	12V	0.25	3.12	3,000 ± 10%	18.5	2.1	31	70 X 70 X 10	1-0110015494
DC7010BLH	滚珠	12V	0.25	3.12	3,000 ± 10%	18.5	2.1	31	70 X 70 X 10	1-0110015495
DC7010HLH	液压	12V	0.25	3.12	3,000 ± 10%	18.5	2.1	31	70 X 70 X 10	1-0110015496
DC7010SLL	含油	24V	0.08	1.92	2,000 ± 10%	10.4	0.9	24	70 X 70 X 10	1-0110015497
DC7010BLL	滚珠	24V	0.08	1.92	2,000 ± 10%	10.4	0.9	24	70 X 70 X 10	1-0110015498
DC7010HLL	液压	24V	0.08	1.92	2,000 ± 10%	10.4	0.9	24	70 X 70 X 10	1-0110015499
DC7010SLM	含油	24V	0.12	2.88	2,500 ± 10%	14.7	1.6	27	70 X 70 X 10	1-0110015500
DC7010BLM	滚珠	24V	0.12	2.88	2,500 ± 10%	14.7	1.6	27	70 X 70 X 10	1-0110015501
DC7010HLM	液压	24V	0.12	2.88	2,500 ± 10%	14.7	1.6	27	70 X 70 X 10	1-0110015502
DC7010SLH	含油	24V	0.16	3.84	3,000 ± 10%	18.5	2.1	31	70 X 70 X 10	1-0110015503
DC7010BLH	滚珠	24V	0.16	3.84	3,000 ± 10%	18.5	2.1	31	70 X 70 X 10	1-0110015504
DC7010HLH	液压	24V	0.16	3.84	3,000 ± 10%	18.5	2.1	31	70 X 70 X 10	1-0110015505

DC-7015系列

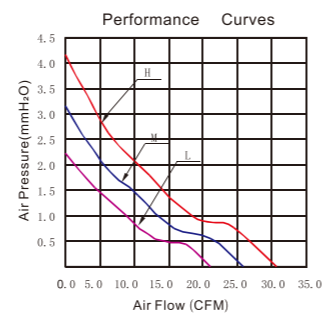
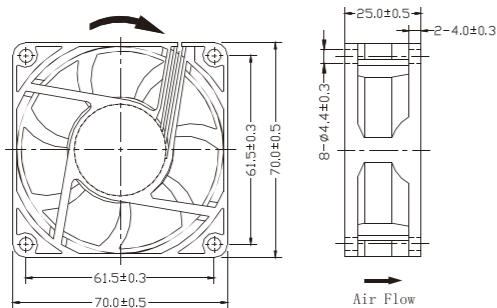


风扇参数说明

- 外框/扇叶材质: 塑料
- 电机保护: 阻抗保护、反极性保护
- 操作温度: 温度:-10°C~70°C 湿度:35%~85%RH
- 一般规格: 引线:UL型 (+)红 (-)黑
- 防火等级: UL 94V-0
- 存储温度: 温度:-40°C~70°C 湿度:35%~85%RH

型号	轴承形式	额定电压 (V)	额定电流 (A)	输入功率 (W)	风扇转速 (RPM)	空气流 (CFM)	静态压力 (mm-H2O)	噪声 (dB-A)	尺寸 (mm)	订货号
DC7015SLL	含油	5V	0.18	0.9	2,500 ± 10%	19.2	1.7	26	70 X 70 X 15	1-0110015506
DC7015BLL	滚珠	5V	0.18	0.9	2,500 ± 10%	19.2	1.7	26	70 X 70 X 15	1-0110015507
DC7015HLL	液压	5V	0.18	0.9	2,500 ± 10%	19.2	1.7	26	70 X 70 X 15	1-0110015508
DC7015SLM	含油	5V	0.24	1.2	3,000 ± 10%	23.6	2.4	30	70 X 70 X 15	1-0110015509
DC7015BLM	滚珠	5V	0.24	1.2	3,000 ± 10%	23.6	2.4	30	70 X 70 X 15	1-0110015510
DC7015HLM	液压	5V	0.24	1.2	3,000 ± 10%	23.6	2.4	30	70 X 70 X 15	1-0110015511
DC7015SLH	含油	5V	0.32	1.6	3,500 ± 10%	27.2	3.2	37	70 X 70 X 15	1-0110015512
DC7015BLH	滚珠	5V	0.32	1.6	3,500 ± 10%	27.2	3.2	37	70 X 70 X 15	1-0110015513
DC7015HLH	液压	5V	0.32	1.6	3,500 ± 10%	27.2	3.2	37	70 X 70 X 15	1-0110015514
DC7015SLL	含油	12V	0.18	1.56	2,500 ± 10%	19.2	1.7	26	70 X 70 X 15	1-0110015515
DC7015BLL	滚珠	12V	0.18	1.56	2,500 ± 10%	19.2	1.7	26	70 X 70 X 15	1-0110015516
DC7015HLL	液压	12V	0.18	1.56	2,500 ± 10%	19.2	1.7	26	70 X 70 X 15	1-0110015517
DC7015SLM	含油	12V	0.15	1.8	3,000 ± 10%	23.6	2.4	30	70 X 70 X 15	1-0110015518
DC7015BLM	滚珠	12V	0.15	1.8	3,000 ± 10%	23.6	2.4	30	70 X 70 X 15	1-0110015519
DC7015HLM	液压	12V	0.15	1.8	3,000 ± 10%	23.6	2.4	30	70 X 70 X 15	1-0110015520
DC7015SLH	含油	12V	0.18	2.16	3,500 ± 10%	27.2	3.2	37	70 X 70 X 15	1-0110015521
DC7015BLH	滚珠	12V	0.18	2.16	3,500 ± 10%	27.2	3.2	37	70 X 70 X 15	1-0110015522
DC7015HLH	液压	12V	0.18	2.16	3,500 ± 10%	27.2	3.2	37	70 X 70 X 15	1-0110015523
DC7015SLL	含油	24V	0.07	1.68	2,500 ± 10%	19.2	1.7	26	70 X 70 X 15	1-0110015524
DC7015BLL	滚珠	24V	0.07	1.68	2,500 ± 10%	19.2	1.7	26	70 X 70 X 15	1-0110015525
DC7015HLL	液压	24V	0.07	1.68	2,500 ± 10%	19.2	1.7	26	70 X 70 X 15	1-0110015526
DC7015SLM	含油	24V	0.1	2.4	3,000 ± 10%	23.6	2.4	30	70 X 70 X 15	1-0110015527
DC7015BLM	滚珠	24V	0.1	2.4	3,000 ± 10%	23.6	2.4	30	70 X 70 X 15	1-0110015528
DC7015HLM	液压	24V	0.1	2.4	3,000 ± 10%	23.6	2.4	30	70 X 70 X 15	1-0110015529
DC7015SLH	含油	24V	0.15	3.6	3,500 ± 10%	27.2	3.2	37	70 X 70 X 15	1-0110015530
DC7015BLH	滚珠	24V	0.15	3.6	3,500 ± 10%	27.2	3.2	37	70 X 70 X 15	1-0110015531
DC7015HLH	液压	24V	0.15	3.6	3,500 ± 10%	27.2	3.2	37	70 X 70 X 15	1-0110015532

DC-7025系列

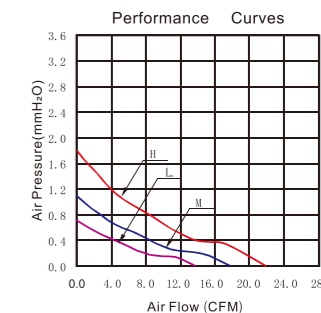
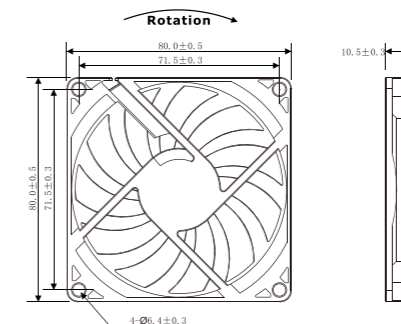


风扇参数说明

- 外框/扇叶材质: 塑料
- 电机保护: 阻抗保护、反极性保护
- 操作温度: 温度:-10°C~70°C 湿度:35%~85%RH
- 一般规格: 引线:UL型 (+)红 (-)黑
- 防火等级: UL 94V-0
- 存储温度: 温度:-40°C~70°C 湿度:35%~85%RH

型号	轴承形式	额定电压 (V)	额定电流 (A)	输入功率 (W)	风扇转速 (RPM)	空气流 (CFM)	静态压力 (mm-H2O)	噪声 (dB-A)	尺寸 (mm)	订货号
DC7025SLL	含油	5V	0.25	1.25	2,700 ± 10%	21.78	2.21	24.2	70 X 70 X 25	1-0110015533
DC7025BLL	滚珠	5V	0.25	1.25	2,700 ± 10%	21.78	2.21	24.2	70 X 70 X 25	1-0110015534
DC7025SLM	含油	5V	0.35	1.75	3,200 ± 10%	25.98	3.08	28.6	70 X 70 X 25	1-0110015535
DC7025BLM	滚珠	5V	0.35	1.75	3,200 ± 10%	25.98	3.08	28.6	70 X 70 X 25	1-0110015536
DC7025SLH	含油	5V	0.47	2.35	3,700 ± 10%	30.33	4.1	32.4	70 X 70 X 25	1-0110015537
DC7025BLH	滚珠	5V	0.47	2.35	3,700 ± 10%	30.33	4.1	32.4	70 X 70 X 25	1-0110015538
DC7025SLL	含油	12V	0.12	1.44	2,700 ± 10%	21.78	2.21	24.2	70 X 70 X 25	1-0110015539
DC7025BLL	滚珠	12V	0.12	1.44	2,700 ± 10%	21.78	2.21	24.2	70 X 70 X 25	1-0110015540
DC7025SLM	含油	12V	0.17	2.04	3,200 ± 10%	25.98	3.08	28.6	70 X 70 X 25	1-0110015541
DC7025BLM	滚珠	12V	0.17	2.04	3,200 ± 10%	25.98	3.08	28.6	70 X 70 X 25	1-0110015542
DC7025SLH	含油	12V	0.25	3.0	3,700 ± 10%	30.33	4.1	32.4	70 X 70 X 25	1-0110015543
DC7025BLH	滚珠	12V	0.25	3.0	3,700 ± 10%	30.33	4.1	32.4	70 X 70 X 25	1-0110015544
DC7025SLL	含油	24V	0.06	1.44	2,700 ± 10%	21.78	2.21	24.2	70 X 70 X 25	1-0110015545
DC7025BLL	滚珠	24V	0.06	1.44	2,700 ± 10%	21.78	2.21	24.2	70 X 70 X 25	1-0110015546
DC7025SLM	含油	24V	0.1	2.4	3,200 ± 10%	25.98	3.08	28.6	70 X 70 X 25	1-0110015547
DC7025BLM	滚珠	24V	0.1	2.4	3,200 ± 10%	25.98	3.08	28.6	70 X 70 X 25	1-0110015548
DC7025SLH	含油	24V	0.12	2.88	3,700 ± 10%	30.33	4.1	32.4	70 X 70 X 25	1-0110015549
DC7025BLH	滚珠	24V	0.12	2.88	3,700 ± 10%	30.33	4.1	32.4	70 X 70 X 25	1-0110015550

DC-8010系列



风扇参数说明

- 外框/扇叶材质: 塑料
- 电机保护: 阻抗保护、反极性保护
- 操作温度: 温度:-10°C~70°C 湿度:35%~85%RH
- 一般规格: 引线:UL型 (+)红 (-)黑
- 防火等级: UL 94V-0
- 存储温度: 温度:-40°C~70°C 湿度:35%~85%RH

型号	轴承形式	额定电压 (V)	额定电流 (A)	输入功率 (W)	风扇转速 (RPM)	空气流 (CFM)	静态压力 (mm-H2O)	噪声 (dB-A)	尺寸 (mm)	订货号
DC8010SLL	含油	5V	0.24	1.2	2,000 ± 10%	13.6	0.74	19.7	80 X 80 X 10	1-0110015551
DC8010BLL	滚珠	5V	0.24	1.2	2,000 ± 10%	13.6	0.74	19.7	80 X 80 X 10	1-0110015552
DC8010SLM	含油	5V	0.3	1.5	2,500 ± 10%	17.7	1.18	23.3	80 X 80 X 10	1-0110015553
DC8010BLM	滚珠	5V	0.3	1.5	2,500 ± 10%	17.7	1.18	23.3	80 X 80 X 10	1-0110015554
DC8010SLH	含油	5V	0.36	1.8	3,000 ± 10%	21.7	1.73	27.9	80 X 80 X 10	1-0110015555
DC8010BLH	滚珠	5V	0.36	1.8	3,000 ± 10%	21.7	1.73	27.9	80 X 80 X 10	1-0110015556
DC8010SLL	含油	12V	0.16	1.92	2,000 ± 10%	13.6	0.74	19.7	80 X 80 X 10	1-0110015557
DC8010BLL	滚珠	12V	0.16	1.92	2,000 ± 10%	13.6	0.74	19.7	80 X 80 X 10	1-0110015558
DC8010SLM	含油	12V	0.2	2.4	2,500 ± 10%	17.7	1.18	23.3	80 X 80 X 10	1-0110015559
DC8010BLM	滚珠	12V	0.2	2.4	2,500 ± 10%	17.7	1.18	23.3	80 X 80 X 10	1-0110015560
DC8010SLH	含油	12V	0.25	3.0	3,000 ± 10%	21.7	1.73	27.9	80 X 80 X 10	1-0110015561
DC8010BLH	滚珠	12V	0.25	3.0	3,000 ± 10%	21.7	1.73	27.9	80 X 80 X 10	1-0110015562
DC8010SLL	含油	24V	0.06	1.44	2,000 ± 10%	13.6	0.74	19.7	80 X 80 X 10	1-0110015563
DC8010BLL	滚珠	24V	0.06	1.44	2,000 ± 10%	13.6	0.74	19.7	80 X 80 X 10	1-0110015564
DC8010SLM	含油	24V	0.08	1.92	2,500 ± 10%	17.7	1.18	23.3	80 X 80 X 10	1-0110015565
DC8010BLM	滚珠	24V	0.08	1.92	2,500 ± 10%	17.7	1.18	23.3	80 X 80 X 10	1-0110015566
DC8010SLH	含油	24V	0.11	2.64	3,000 ± 10%	21.7	1.73	27.9	80 X 80 X 10	1-0110015567
DC8010BLH	滚珠	24V	0.11	2.64	3,000 ± 10%	21.7	1.73	27.9	80 X 80 X 10	1-0110015568